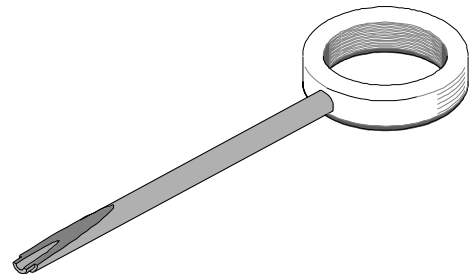




Insertion Tool Instruction Sheet Order No. 11-02-0001 (HT-1807)



This Insertion tool is used for insertion of .062" diameter series pin and socket male and female terminals in plug and receptacle housings. This tool is designed to assure proper seating of terminals and reduce operator fatigue.

TERMINAL INSERTION:

Individual terminals may be inserted in the housing using this Insertion tool.

- 1) To properly use this tool, with the flat side facing up, place the ring over the ring finger past the first joint (See Figure 1). Place the wire in the groove of the tool so that the terminal is touching the end of tool (See Figure 2).*
- 2) With your thumb securely holding the wire in the groove, push the terminal into the housing as far as the shoulder on the tool will permit. The terminal then should be locked in place.*

Optional: The terminal can be partially inserted in the terminal housing first, and then the Insertion tool can be used to firmly seat the terminal.

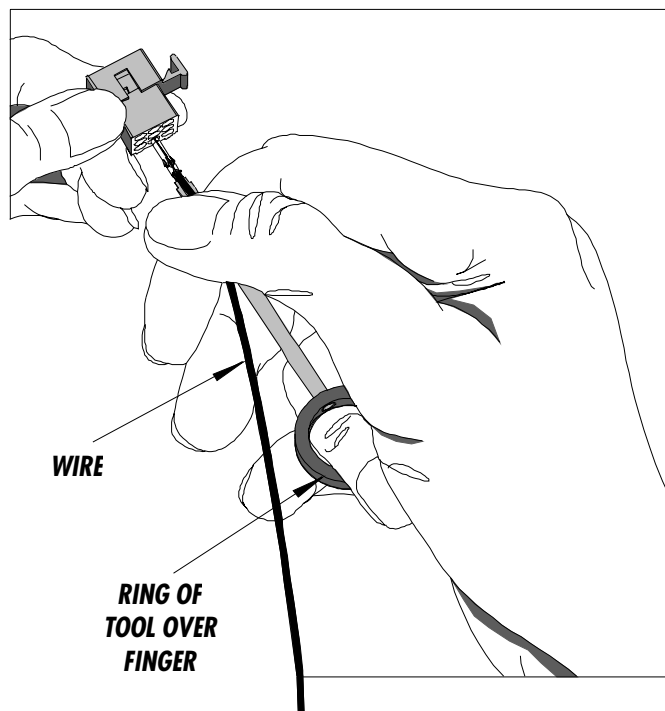


Figure 1

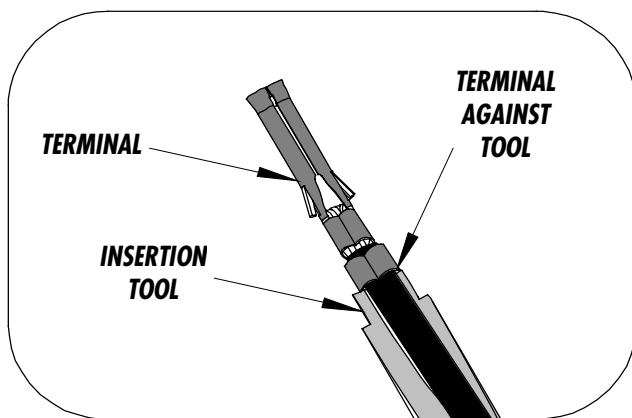


Figure 2

Molex Tooling Group
1150 E. Diehl Road
Naperville, IL 60563
(630) 969-4550; FAX (630) 505-0049